

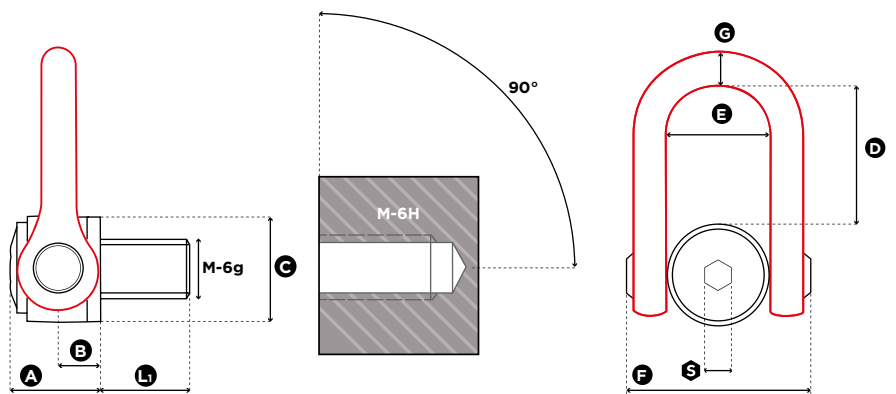
# DSS

## GradUp



METRIC THREADS

### DOUBLE SWIVEL SHACKLE



1 in = 25.4 mm

| Reference     | Diameter    | SF 5:1 WLL (t) | SF 4:1 WLL (t) | Standard L <sub>1</sub> (mm) | Torque (Nm) | S (mm) | A (mm) | B (mm) | C (mm) | D (mm) | E (mm) | F (mm) | G (mm) | Weight (kg) |
|---------------|-------------|----------------|----------------|------------------------------|-------------|--------|--------|--------|--------|--------|--------|--------|--------|-------------|
| DSS M 24 UP   | M 24 (x3)   | 4,50           | 5,50           | 36                           | 160         | 19     | 61     | 31     | 70     | 98     | 73     | 149    | 33     | 5,4         |
| DSS M 30 UP   | M 30 (x3,5) | 7,70           | 8,50           | 45                           | 250         | 19     | 61     | 31     | 70     | 98     | 73     | 149    | 33     | 5,5         |
| DSS M 33 UP   | M 33 (x3,5) | 8,50           | 10,50          | 50                           | 250         | 19     | 61     | 31     | 70     | 98     | 73     | 149    | 33     | 5,5         |
| DSS M 36 UP   | M 36 (x4)   | 11,00          | 12,00          | 54                           | 320         | 19     | 61     | 31     | 70     | 98     | 73     | 149    | 33     | 5,5         |
| DSS M 36x3 UP | M 36 (x3)   | 11,00          | 12,00          | 54                           | 320         | 19     | 61     | 31     | 70     | 98     | 73     | 149    | 33     | 5,5         |
| DSS M 39 UP   | M 39 (x4)   | 12,00          | 14,00          | 58                           | 320         | 19     | 61     | 31     | 70     | 98     | 73     | 149    | 33     | 5,7         |
| DSS M 42 UP   | M 42 (x4,5) | 13,00          | 15,00          | 63                           | 400         | 19     | 61     | 31     | 70     | 98     | 73     | 149    | 33     | 5,8         |
| DSS M 42x3 UP | M 42 (x3)   | 13,00          | 15,00          | 63                           | 400         | 19     | 61     | 31     | 70     | 98     | 73     | 149    | 33     | 5,8         |
| DSS M 45 UP   | M 45 (x4,5) | 14,50          | 16,00          | 63                           | 400         | 19     | 61     | 31     | 70     | 98     | 73     | 149    | 33     | 5,9         |
| DSS M 48 UP   | M 48 (x5)   | 17,00          | 20,00          | 68                           | 600         | 19     | 79     | 38     | 90     | 123    | 91     | 182    | 45     | 11,0        |
| DSS M 48x3 UP | M 48 (x3)   | 17,00          | 20,00          | 68                           | 600         | 19     | 79     | 38     | 90     | 123    | 91     | 182    | 45     | 11,0        |
| DSS M 48x4 UP | M 48 (x4)   | 17,00          | 20,00          | 68                           | 600         | 19     | 79     | 38     | 90     | 123    | 91     | 182    | 45     | 11,0        |
| DSS M 52 UP   | M 52 (x5)   | 19,00          | 21,00          | 68                           | 600         | 19     | 79     | 38     | 90     | 123    | 91     | 182    | 45     | 11,2        |
| DSS M 56 UP   | M 56 (x5,5) | 22,00          | 25,00          | 78                           | 600         | 19     | 79     | 38     | 90     | 123    | 91     | 182    | 45     | 11,3        |
| DSS M 56x4 UP | M 56 (x4)   | 22,00          | 25,00          | 78                           | 600         | 19     | 79     | 38     | 90     | 123    | 91     | 182    | 45     | 11,4        |
| DSS M 64 UP   | M 64 (x6)   | 25,00          | 32,10          | 90                           | 600         | 19     | 79     | 38     | 95     | 123    | 91     | 182    | 45     | 12,2        |
| DSS M 64x4 UP | M 64 (x4)   | 25,00          | 32,10          | 90                           | 600         | 19     | 79     | 38     | 95     | 123    | 91     | 182    | 45     | 12,2        |
| DSS M 72 UP   | M 72 (x6)   | 22,00          | 25,00          | 90                           | 600         | 19     | 79     | 38     | 95     | 123    | 91     | 182    | 45     | 14,0        |
| DSS M 72x4 UP | M 72 (x4)   | 22,00          | 25,00          | 90                           | 600         | 19     | 79     | 38     | 95     | 123    | 91     | 182    | 45     | 14,0        |
| DSS M 80 UP   | M 80 (x6)   | 25,00          | 32,10          | 90                           | 600         | 19     | 79     | 38     | 100    | 123    | 91     | 182    | 45     | 15,0        |
| DSS M 90 UP   | M 90 (x6)   | 25,00          | 32,10          | 90                           | 600         | 19     | 79     | 38     | 100    | 123    | 91     | 182    | 45     | 15,5        |
| DSS M 100 UP  | M 100 (x6)  | 25,00          | 32,10          | 90                           | 600         | 19     | 79     | 38     | 110    | 123    | 91     | 182    | 45     | 16,5        |

12.2018

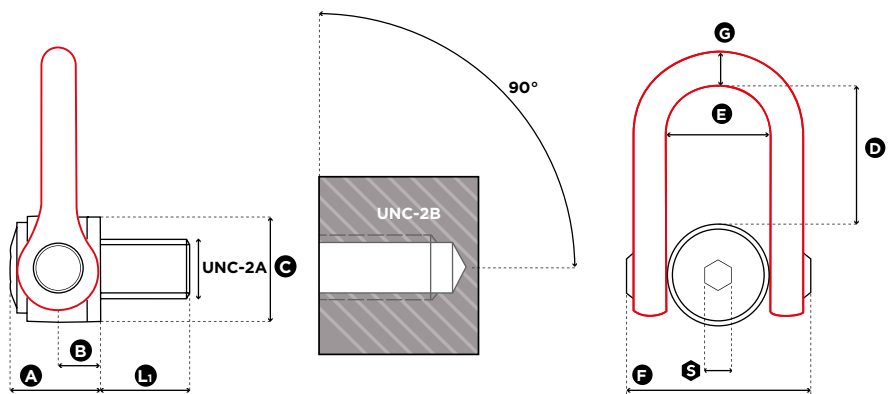
# DSS

## GradUp



UNC THREADS

### DOUBLE SWIVEL SHACKLE



1 in = 25.4 mm

| Reference    | Diameter     | SF 5:1 WLL (lbs) | SF 4:1 WLL (lbs) | Standard L1 (mm) | Torque (ft-lb) | S (mm) | A (mm) | B (mm) | C (mm) | D (mm) | E (mm) | F (mm) | G (mm) | Weight (kg) |
|--------------|--------------|------------------|------------------|------------------|----------------|--------|--------|--------|--------|--------|--------|--------|--------|-------------|
| DSS U 100 UP | UNC 1"-8     | 10,000           | 13,000           | 36               | 125            | 19     | 61     | 31     | 70     | 98     | 73     | 149    | 33     | 5,4         |
| DSS U 125 UP | UNC 1" 1/4-7 | 15,000           | 19,000           | 45               | 200            | 19     | 61     | 31     | 70     | 98     | 73     | 149    | 33     | 5,4         |
| DSS U 138 UP | UNC 1" 3/8-6 | 21,000           | 22,000           | 54               | 240            | 19     | 61     | 31     | 70     | 98     | 73     | 149    | 33     | 5,4         |
| DSS U 150 UP | UNC 1" 1/2-6 | 22,000           | 27,000           | 54               | 240            | 19     | 61     | 31     | 70     | 98     | 73     | 149    | 33     | 5,4         |
| DSS U 175 UP | UNC 1" 3/4-5 | 27,000           | 33,000           | 63               | 300            | 19     | 61     | 31     | 70     | 98     | 73     | 149    | 33     | 5,9         |
| DSS U 200 UP | UNC 2"-4,5   | 38,000           | 50,000           | 76               | 450            | 19     | 79     | 38     | 90     | 123    | 91     | 182    | 45     | 11,1        |
| DSS U 250 UP | UNC 2" 1/2-4 | 48,500           | 55,000           | 90               | 450            | 19     | 79     | 38     | 95     | 123    | 91     | 182    | 45     | 12,2        |

12.2018